



Intraoral
X-ray unit

MINRAY®



*An essential part of
your daily practise*



Strengths
Built from experience

- *Company tradition of reliability*
- *Superior image quality*
- *Consistent diagnostic results*
- *DC output for reduced soft radiation*
- *Simple operating controls*
- *Easy tubehead positioning*
- *Arm reach can be set to your exact needs!*



True ***Diagnostic Value***

The high frequency constant potential technology improves image quality and is not affected by line voltage fluctuations. The constant potential technology delivers harder, more highly energized radiation and reduces the amount of soft radiation compared to conventional AC generators.

Minray is compatible with all digital imaging systems based on IP (i.e. DIGORA) or CCD sensor technology.



Clear and easy Operating Controls

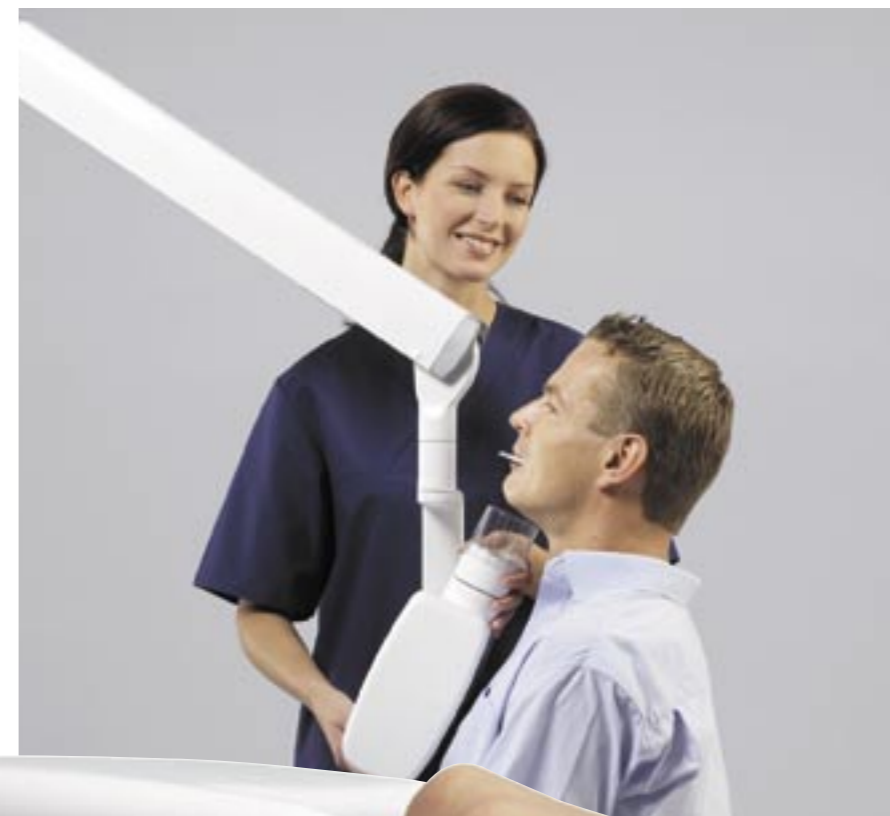


The user-friendly control panel can be installed in the wall box or be remote mounted in almost any location. The remote mounted control panel has a unique **Push-bar** exposure switch.

Very clear and easy to use.

Minray control panel provides pre-programmed exposure settings for adult and child, choice of 60 and 70 kV for optimized contrast, film and digital modes and exposure time range between 0.02 and 3.2 seconds. It's also easy to choose your own exposure settings and efficiently store them to memory.

Advanced **Ergonomics**



Specially designed tubehead handle makes tubehead positioning precise and easy

Minray has a steady arm system that allows you to move the arm smoothly and keeps the tubehead motionless during exposure. The tubehead handle allows one-hand movement of the tubehead and enables fast and easy positioning.



Perfect arm reach

for *Your practice*

This unique feature allows the arm reach to be set to your exact needs!

Minray's extendable horizontal arm system gives you freedom of choice! You don't need to choose horizontal arm length in advance. The arm length will be adjusted and fixed at the time of installation in your practice and it can be readjusted later if needed. Extendable adjustment gives *perfect arm reach for your practice!*





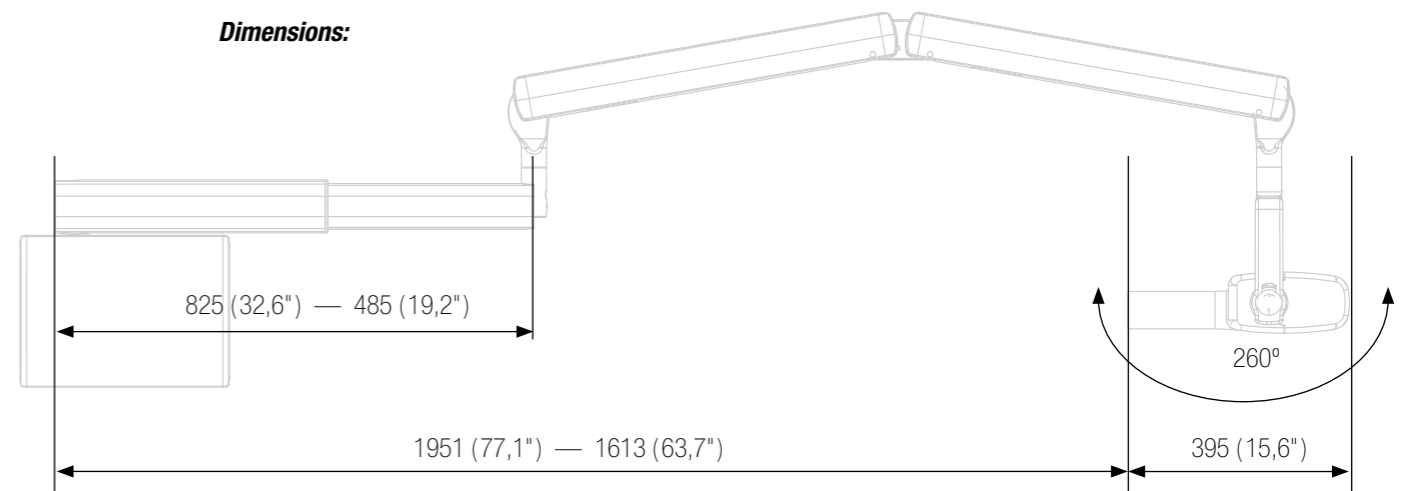
Technical specifications

Generator:	Constant potential (high voltage DC, 100-200kHz)
Tube Voltage:	60 or 70kV
Tube Current:	7mA
Focal Spot:	0.7mm to IEC 60336
Line Voltage:	115/230 VAC +/- 10%, 50/60 Hz
Filtration:	2mm Al
Exposure Time Range:	0.02 – 3.2 seconds
Fuse Range:	5A / 230 VAC 8A / 115 VAC
Power Consumption:	1080 VA/230 VAC 910 VA/115 VAC
Beam Limiting Cones:	Dimensions: Round Ø 60mm (2.36") Rectangular 35 x 45mm (1.38" x 1.77") SSD (Source-Skin Distance): Standard cone 229 mm (9") Long cone 305 mm (12")
Installation:	Wall mount for single stud or 406 mm (16") Center stud installation
Weight:	30 kg



Beam Limiting Cones

Dimensions:



8200993

10/03

Subject to change without notice



ISO 9001:2001 www.soredex.com / www.soredex.de / www.soredexusa.com



Company Tradition of reliability

For over twentyfive years Soredex has set the quality standards for dental imaging equipment. Superior image quality, engineering excellence and first-rate customer supports are the hallmarks that have set us apart from our competitors
– Strengths built from experience.